

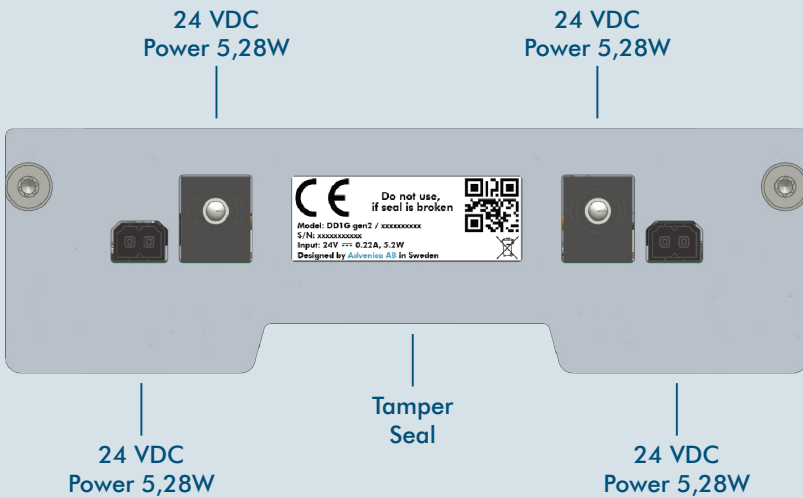
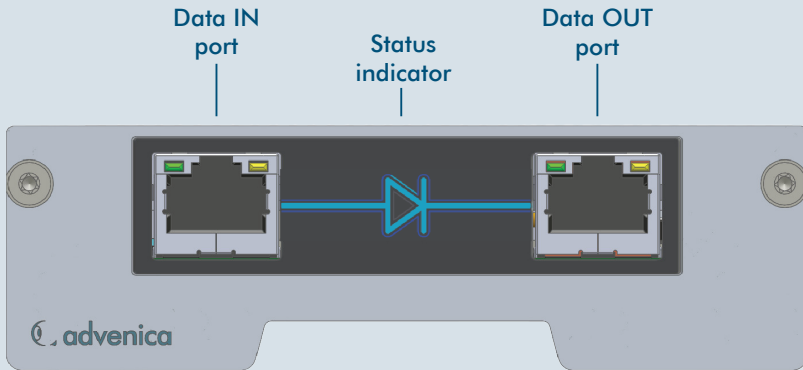


advenica

# Data Diode DD1G Gen 2 Quick Guide

**A**

## Data Diode DD1G Gen 2 Overview



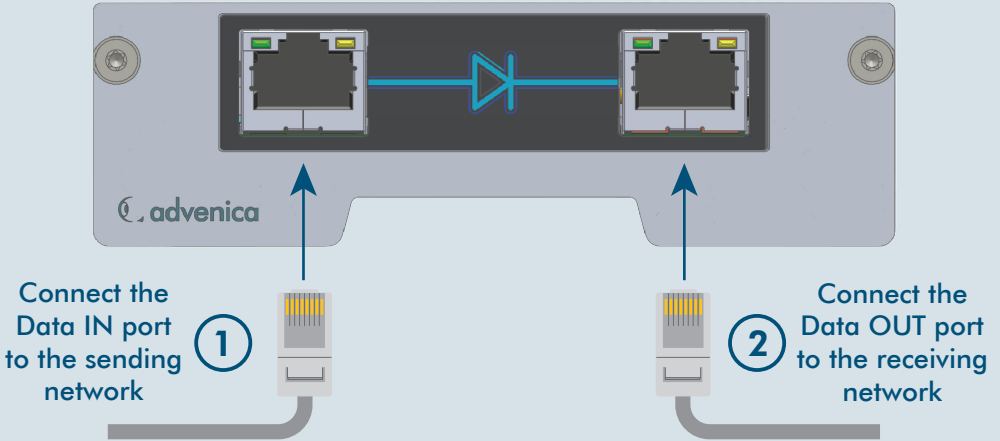
### Package Contents

- 1 Data Diode DD1G Gen 2
- 1 Power Supply
- 1 DIN Rail Bracket (screws included)
- 1 Terminal screw plint

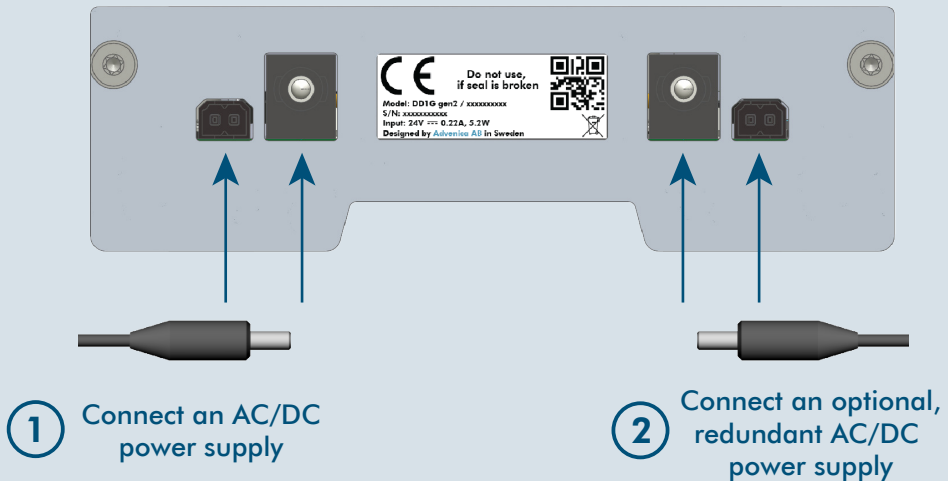
## B Connecting Networks



*It is extremely important to make sure the correct network (sending) is connected to the Data IN port, or data may be sent in an unintended direction.*

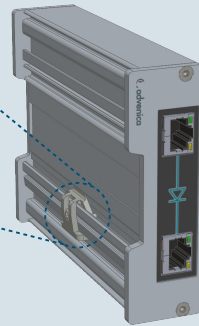
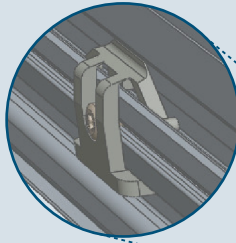


## C Connecting Power



**D**

## Horizontal mounting



The DD1G Gen 2 Data Diode comes with a pre-mounted DIN rail clip intended for horizontal DIN rail mounting.

**1**

Fit the groove above the DIN rail clip on the Data Diode to the upper edge of the DIN rail.

**2**

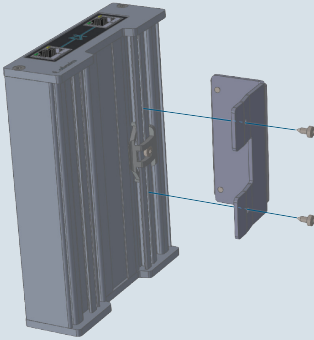
Press the bottom of the Data Diode towards the DIN rail until it snaps into position.



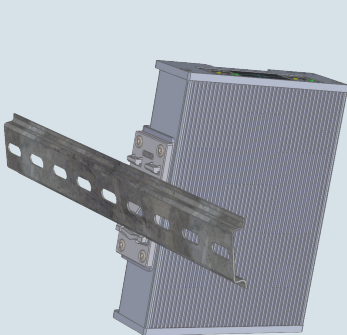
When the Data Diode has been properly and securely mounted on the DIN rail, network and power cables can be connected. The device is ready to be used.

**E****Vertical mounting**

The DD1G Gen 2 Data Diode comes with a DIN rail bracket intended for vertical DIN rail mounting. It must be mounted on the device before use.



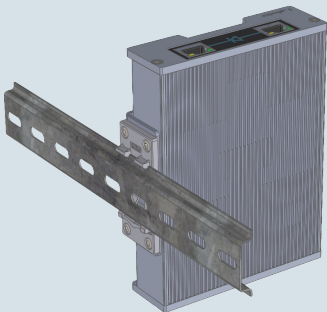
- 1 Fit the Din rail bracket over the DIN rail clip on the device and fasten the two included screws.



- 3 Press the top of the Data Diode towards the DIN rail until it snaps into position.



- 2 Fit the lower groove on the DIN rail bracket on the Data Diode to the lower edge of the DIN rail.



When the Data Diode has been properly and securely mounted on the DIN rail, network and power cables can be connected. The device is ready to be used.

## F Status indicator, front panel



- Pulsating blue - Power on
- Running blue light, left to right - Data is being sent
- Off - No power

## G Technical Specifications

Applications & protocols supported

- Log export (e.g. Syslog over UDP)
- AIS (Automatic Identification System) over UDP
- Media streaming (RTP)
- CCTV monitoring

Proxies

- External (not included)

Diode separation

- Optical

Data ports

- 2x Gigabit Ethernet (RJ45)

Power supply options

- Included power supply, 100-240VAC / 24VDC (rating 18W)
- External power supply via included terminal screw plint (24VDC 6W)
- Power over Ethernet (PoE)
- Power redundancy capable

Tamper resistance

- Tamper evidence seal

Size

- 100x32x138 (WxHxD)

Weight

- 0,5 kg

Temperature range

- 0 - +50° C (operation)
- -20 - +60° C (storage)

Mounting

- Standalone
- Rack-mounted (1U in 19'')
- DIN rail

